

CENTRAL FIXING



SWING

GARAGE DOOR OPENER

230V electromechanical opener for counterweighted and spring-balanced overhead garage doors up to 8mq.

An irreversible gear motor with adjustable electromechanical limit switches, available with embedded control unit and built-in radio receiver, obstacle detection function, courtesy light and a handle for emergency manual release.

The fixing bar (1.2m) is included.

OPTIONAL



E102/C
brackets set for
central fixing



E102/L
brackets set for
side fixing



E102/U
curved arms kit for
central mounting



E101
emergency release
kit for external opening



SIDE FIXING

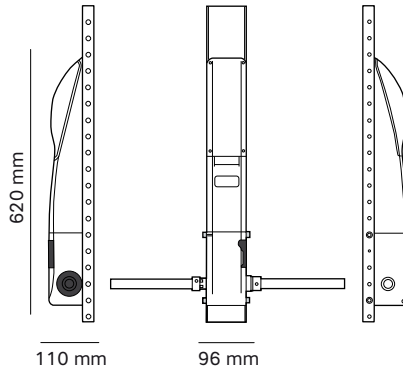
TECHNICAL DATA

Power supply	V	230V~50Hz
Current	A	1.0
Motor power	W	300
Capacitor	μ F	10
IP protection class	IP	54
Revolution speed	rpm	1400
Standard opening time	s	18
Max door size	m ²	8
Duty Cycle	%	50

SWING

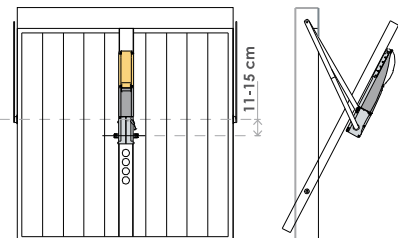
Power supply	V	230V~50Hz
Current	A	1.0
Motor power	W	300
Capacitor	μ F	10
IP protection class	IP	54
Revolution speed	rpm	1400
Standard opening time	s	18
Max door size	m ²	8
Duty Cycle	%	50

DIMENSIONS

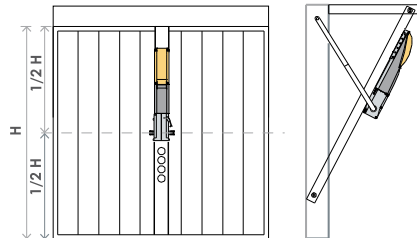


years of warranty **3**

TRACK-LESS 1-PIECE DOOR



TRACK OPERATED DOOR



FOLDING DOOR

