



Indicative type configuration



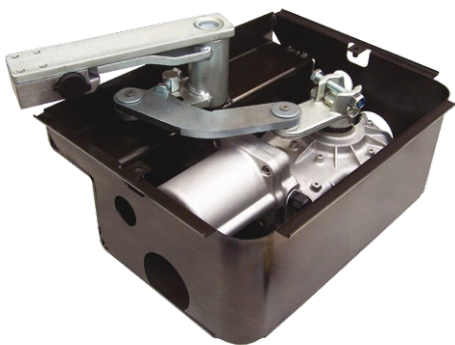
MYSHARK

AUTOMATION FOR SWING GATES

Electromechanical underground operator for swing gates up to 3 m.

A strong gearing system made out of bronze and a noiseless powerful waterproof gear motor made fully of aluminium. This operator is the most discrete way to automate a gate. It owns built-in adjustable mechanical limit switches in opening and closing position. It allows an opening angle up to 110° (standard) or 180° (adapter needed).

It can be supplied in 230V and 24v. The 24V version is suitable for an intensive use and it can be equipped with a backup battery in case of power cut.



KIT COMPOSITION



MYSHARK

1

Underground gear motors



MYRL

2

Flashing light



MYRF

3

Safety photocells set



MYKEY

4

Remote keyfob



MYKEY

5

Remote keyfob



6

Control unit

OPTIONAL



MYRT_
wireless keypad



RT35_
stainless steel keypad



RT36_
polycarbonate keypad



MYRS_
key switch



ANT02_
aerial



MELO4_
electro-lock module interface



MYRF_
safety photocells set

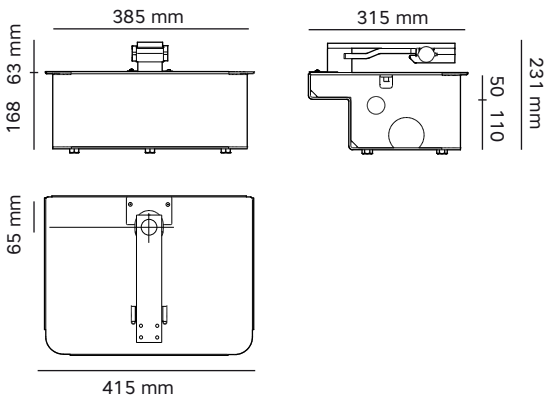


A008_
180° opening system



A002_
Foundation box stainless steel

DIMENSIONS



years of warranty **3**

TECHNICAL DATA

		MYSHARK 24	MYSHARK
Power supply	V	24V dc	230V~50Hz
Current	A	0.5-7,5	1.2 - 2.0
Motor power	W	50	300
Capacitor	mF	-	10
Thermic protection	C°	-	150°
Max thrust	Nm	230	350
IP protection class	IP	66	66
Revolution speed	rpm	1600	1400
Max opening angle 90°	deg	110°	110°
angle opening time	s	16"	17"
Max leaf weight	Kg	200	350
Max leaf length	m	2.50	3.00
Duty cycle	%	90	50