

# MYASTER NEW

Automation for swing gates



# Contents








1.	<b>WARNINGS</b> .....	<i>page 01</i>
2.	<b>INTENDED USE AND APPLICATION</b> .....	<i>page 01</i>
2.1	Kit contents .....	<i>page 01</i>
2.2	Technical data .....	<i>page 02</i>
2.3	Operator dimensions.....	<i>page 02</i>
3.	<b>INSTALLATION</b> .....	<i>page 02</i>
3.1	Preliminary checks .....	<i>page 02</i>
3.2	Tools and materials (not included) .....	<i>page 03</i>
3.3	Wiring installation overview.....	<i>page 04</i>
3.4	Installing the operator .....	<i>page 05</i>
3.4.1	Quotes from ground .....	<i>page 05</i>
3.4.2	Pillar quotes .....	<i>page 05</i>
3.4.3	Outward opening .....	<i>page 07</i>
3.4.4	Fixing the pillar bracket.....	<i>page 08</i>
3.4.5	Fixing the gate bracket.....	<i>page 09</i>
3.4.6	Wirings .....	<i>page 10</i>
4.	<b>MANUAL RELEASE</b> .....	<i>page 11</i>
5.	<b>MAINTENANCE</b> .....	<i>page 12</i>
6.	<b>WARRANTY</b> .....	<i>page 12</i>
7.	<b>DISPOSAL</b> .....	<i>page 12</i>
8.	<b>COMPLIANCE DECLARATION CE</b> .....	<i>page 13</i>

# 1. WARNINGS

This manual contains important information concerning personal safety. An incorrect installation or an improper use may lead to severe injuries. Read carefully and store for future use.

Pay particular attention to this symbol



-  Connect the automation to the earth system, which must be efficient and properly carried out.
-  The installation of automatic doors and gates must comply with the Machine Directive 2006/42/CE, in particular EN 12453 and performed by qualified personnel only.
-  Make sure the main power line is equipped with state of the art safety grounding system; as well be sure the whole installation is protected by a power cut switch and against overcurrent.
-  Make sure the area is clear from flammable gases and/or electromagnetic interferences: it could lead to very dangerous injuries.
-  Switch the power and batteries OFF before any operation.  
After installation, packaging and waste materials (cardboard, plastic, metal parts etc.) must be kept away from children as they could be potentially harmful.
-  Use only original spare parts. Any alteration to the system is prohibited.  
Proteco Srl will not respond in case of using additional and/or fake spares.
-  Before commissioning the system, deliver the last pages of this manual to the user.

Proteco S.r.l. reserves the right to make changes to the product without notice.

# 2. INTENDED USE AND APPLICATION

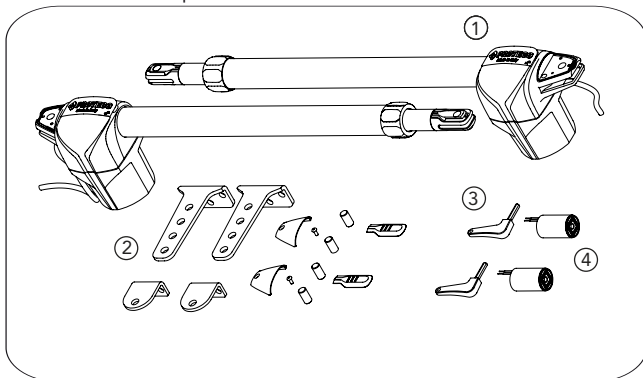
MYASTER operator is designed to automate swing gates.

The use of this product for purposes other than those described and installation executed in a manner other than as instructed in this technical manual are prohibited.

All MYASTER systems are locked, therefore no electric-lock is needed.

In case of power cut the gate operator can be easily released by manual operation.

Double leaf composition

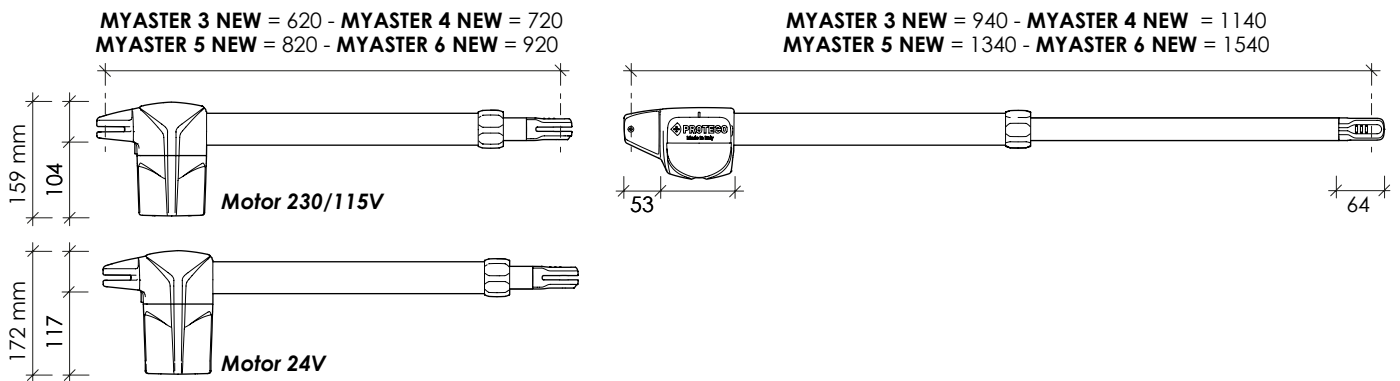


- 01 n°2 Operators
- 02 n°1 Fitting bag
- 03 n°2 Release keys
- 04 n°2 Capacitors
  
- n°1 Installation manual

## 2.2 TECHNICAL DATA

		MYASTER 3 NEW			MYASTER 4 NEW			MYASTER 5 NEW			MYASTER 6
Power supply	V	24Vdc	230V-50Hz	115V-60Hz	24Vdc	230V-50Hz	115V-60Hz	24Vdc	230V-50Hz	115V-60Hz	230V-50Hz
Max. motor voltage	A	0,75	1,7	2,3	0,75	2,0	2,3	0,75	1,7	2,3	1,7
Rated power	W	50	280	300	50	280	300	50	280	300	280
Capacitor	µF	--	8	30	--	8	30	--	8	30	8
Thermal cut off	C°	--	150°	150°	--	150°	150°	--	150°	150°	150°
Rated thrust	N	2500	2800	3000	2500	2800	3000	2500	2800	3000	2800
Ip rating	IP	44	44	44	44	44	44	44	44	44	44
Revolutions	rpm	1700	1400	1700	1700	1400	1700	1700	1400	1700	1400
Max. opening angle	deg	100°	100°	100°	110°	110°	110°	110°	110°	110°	120°
Opening time - 90°	s	13,5"	17"	14"	18"	22"	18"	22,5"	27"	22"	32"
Max. leaf weight	Kg	275	350	300	250	350	300	150	250	200	250
Max. leaf length	m	2,00	2,00	2,00	2,50	2,8	2,8	3,00	3,50	3,50	4,00
Duty cycle	%	80%	40%	40%	80%	40%	40%	80%	40%	40%	40%

## 2.3 OPERATOR DIMENSIONS



## 3. INSTALLATION

### 3.1 PRELIMINARY CHECKS

Before proceeding to installation, it is necessary to double check the good condition of every component and make sure the site is suitable for installation purposes.

- All components must be integral and suitable to use.
- Make sure the area around the system is clear enough to allow easy and safe manual operation.
- Make sure weight, dimensions and gate features are suitable to the model you have chosen.
- Make sure the gate area is fitted with ground stops both in opening and closing.
- Make sure the gate is mechanically free of friction.
- Make sure the automation fixing area is compatible with the dimensions of the brackets and that there is sufficient space to carry out manual operation easily and safely.
- Make sure the automation positioning area is not subject to flooding.
- Make sure the electric circuit is connected to a state of the art safety grounding.
- Make sure the fixing surfaces of the photocells are flat and allow correct alignment between transmitter and receiver.

### 3.2 TOOLS AND MATERIALS (NOT INCLUDED)

#### PILLARS AND WALLS



brick



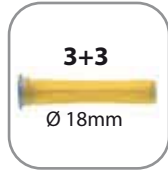
concrete



inox/alu. tubular



stainless steel



3+3  
Ø 18mm



3+3  
Ø 15mm



3+3



3+3

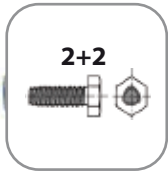
#### LEAF



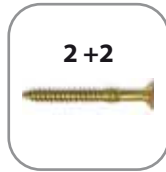
stainless steel/alu



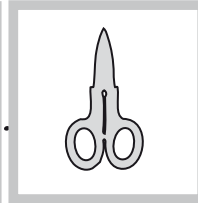
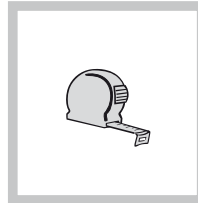
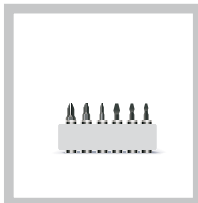
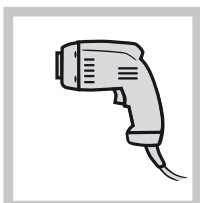
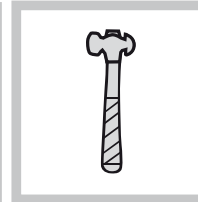
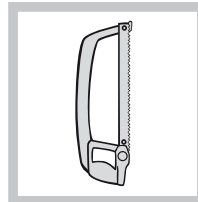
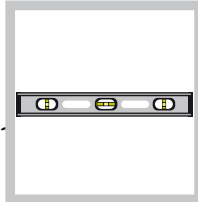
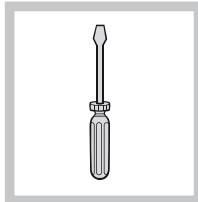
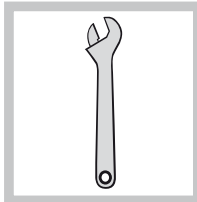
wood



2+2

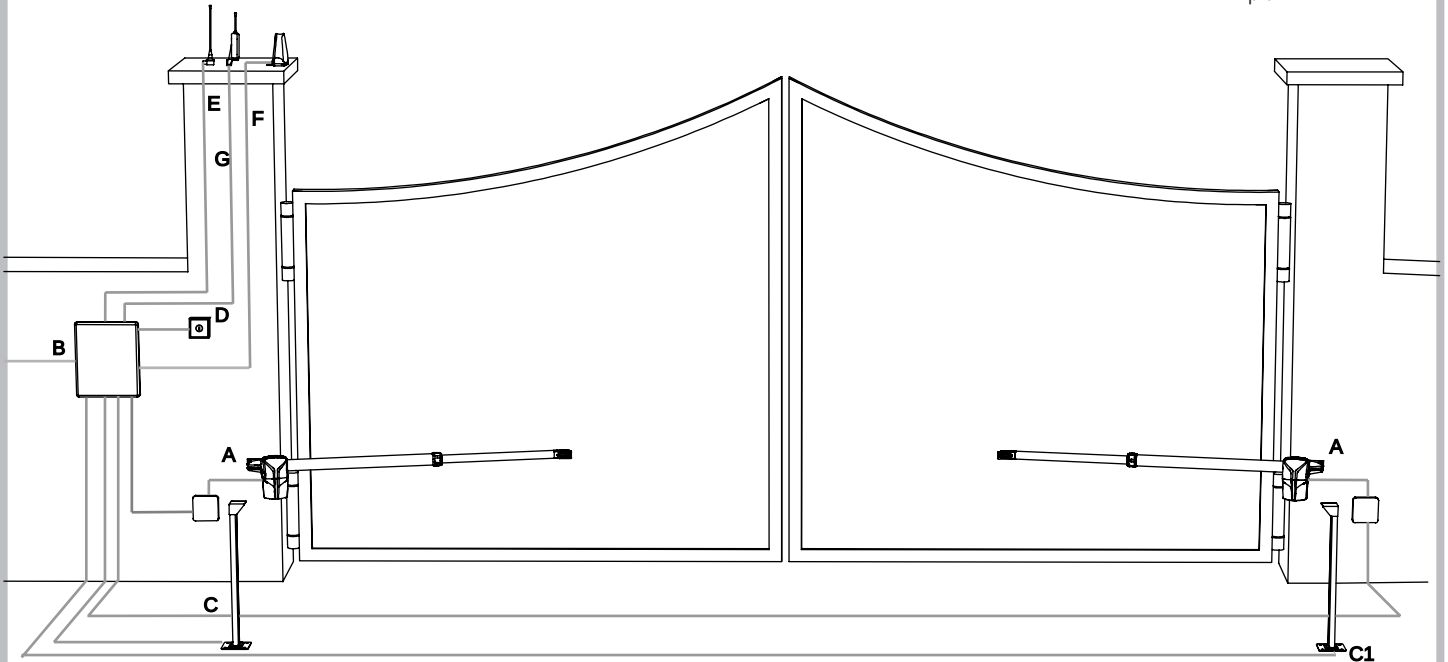


2+2



### 3.3 WIRING INSTALLATION OVERVIEW

pic. A

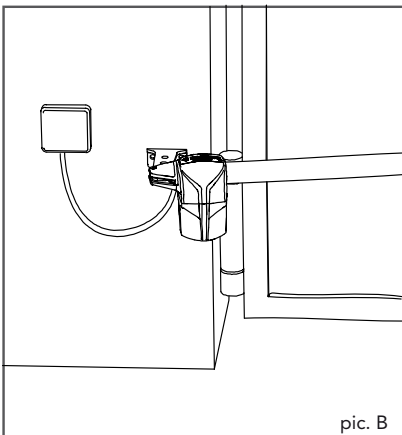


#### ELENCO CAVI PER I VARI DISPOSITIVI

	230V/115V	24V
<b>A</b> Operator	3 x 1,5 mm <sup>2</sup> + Terra	2 x 1,5 mm <sup>2</sup>
<b>B</b> Control unit	2 x 1,5 mm <sup>2</sup> + Terra	2 x 1,5 mm <sup>2</sup> + Terra
<b>C</b> RX photocell	4 x 0,5 mm <sup>2</sup>	4 x 0,5 mm <sup>2</sup>
<b>C'</b> TX photocell	2 x 0,5 mm <sup>2</sup>	2 x 0,5 mm <sup>2</sup>
<b>D</b> Key switch	2 x 0,5 mm <sup>2</sup>	2 x 0,5 mm <sup>2</sup>
<b>E</b> Antenna	RG58	RG58
<b>F</b> Blinker	2 x 0,5 mm <sup>2</sup>	2 x 0,5 mm <sup>2</sup>
<b>G</b> Radio receiver	2 x 0,5 mm <sup>2</sup>	2 x 0,5 mm <sup>2</sup>

**NB:** Cables necessary for the installation of the system (not included) may vary according to the quantity and type of accessories and devices fitted.

- Switch the POWER OFF before starting any wiring.
- Fit a power cut switch to protect the electric plant against overcurrent. The standard requires a separation of contacts of at least 3 mm in each pole(EN 60335-1).
- The installation requires skills in the electrical and mechanical fields; it must only be performed by qualified personnel able to release the declaration of conformity (type A) on the whole installation (Machine Directive 2006/42/CEE, attachment IIA).
- The main electric plant shall comply with the outstanding regulation and shall be state of the art carried out.
- The power supply lines to the motors, control unit and accessories must be separated in order to avoid possible interferences that could generate system malfunctions.
- The electric cable coming out of the actuator must not be stretched but make a wide downward curve to avoid the backflow of water inside the actuator itself (see the picture above).

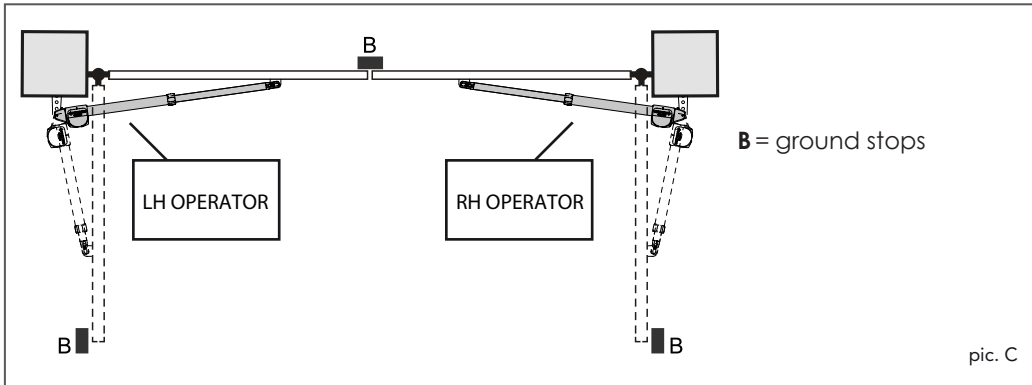


pic. B

### 3.4 INSTALLING THE OPERATOR

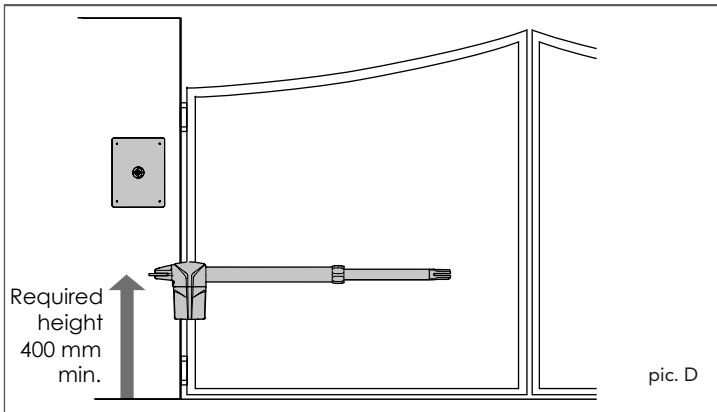
Check the orientation of the motors, left or right hand, referring to picture A. If hinges are positioned on the right (property view), the motor will be right hand, and viceversa.

**Make sure the gate is fitted with ground stops both in opening and closing (picture C).**



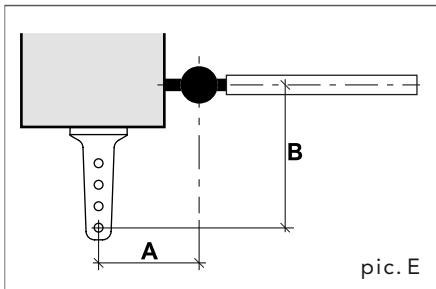
#### 3.4.1. QUOTES FROM GROUND

Brackets must be positioned at a minimum height of (picture D). If the gate is particularly light, fit the operator as closer as possible to gate centerline.



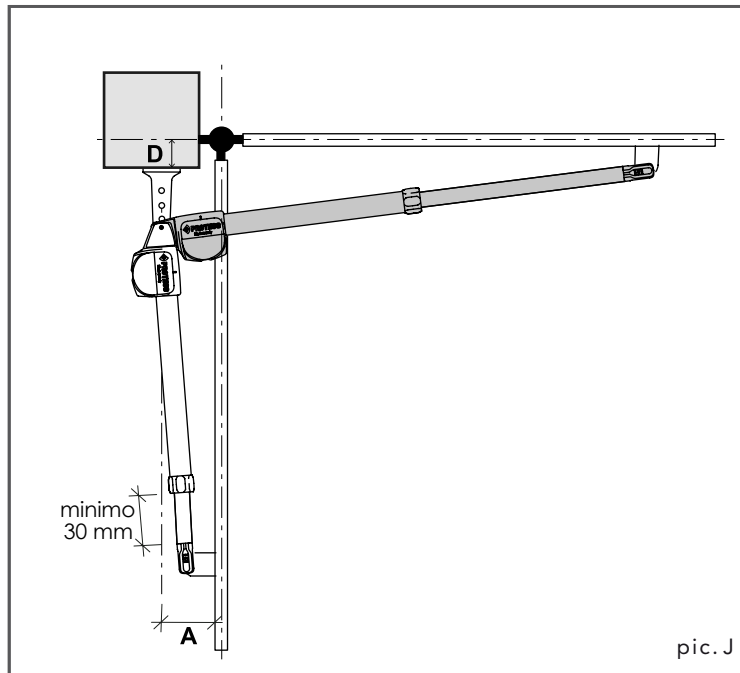
#### 3.4.2. PILLAR QUOTES

The ideal approach is to fix the brackets complying with the measures A and B as indicated in the below table for an opening angle of 90° (picture E/J).



- MYASTER 3 NEW:** A=150 B=150
- MYASTER 4 NEW:** A=200 B=200
- MYASTER 5 NEW:** A=250 B=250
- MYASTER 6 NEW:** A=300 B=300

- MYASTER 3 NEW:** D= max 125 mm
- MYASTER 4 NEW:** D= max 175 mm
- MYASTER 5 NEW:** D= max 225 mm
- MYASTER 6 NEW:** D= max 275 mm

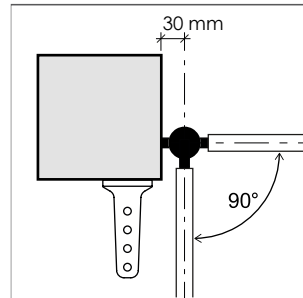




If the ideal scenario of A and B is not applicable, then refer to the below table to get some other possible combinations according to the width of the pillar.

Values are expressed in mm. MYASTER NEW can replace the previous model ensuring the same excursions and the same opening angles, without having to replace the existing ones.

MYASTER 6 NEW (90°)									
<b>D</b>	275	250	225	200	175	150	125	100	75
<b>A</b>	210	240	280	275	300	300	330	370	410
<b>B</b>	335	330	305	310	285	290	265	240	215
<b>Bracket</b>	80	80	80	110	110	140	140	140	140
<b>Minimum leaf length</b>	1320	1300	1280	1280	1260	1270	1240	1220	1200



**NB:** for an opening angle of 90° the minimum recommended distance between the hinge and the pillar is 30 mm.

MYASTER 5 NEW (90°)									
<b>D</b>	225	200	175	150	125	100	75	50	25
<b>A</b>	165	190	200	200	200	200	250	300	345
<b>B</b>	305	280	255	260	265	240	215	190	165
<b>Bracket</b>	80	80	80	110	140	140	140	140	140
<b>Minimum leaf length</b>	1150	1130	1130	1130	1140	1120	1100	1070	1050

MYASTER 4 NEW (90°)								
<b>D</b>	175	150	125	100	75	50	25	0
<b>A</b>	115	140	165	160	155	180	210	240
<b>B</b>	255	230	205	210	215	190	165	140
<b>Bracket</b>	80	80	80	110	140	140	140	140
<b>Minimum leaf length</b>	1000	980	980	970	970	970	950	930

MYASTER 3 NEW (90°)						
<b>D</b>	125	100	75	50	25	0
<b>A</b>	110	150	145	140	135	160
<b>B</b>	205	150	155	160	165	140
<b>Bracket</b>	80	50	80	110	140	140
<b>Minimum leaf length</b>	860	840	840	850	850	830

MYASTER 6 NEW (110°)				
<b>D</b>	150	125	100	75
<b>A</b>	250	260	280	275
<b>B</b>	260	235	210	215
<b>Distance between hinge and pillar</b>	80	70	60	50
<b>Bracket</b>	110	110	110	140
<b>Minimum leaf length</b>	1300	1280	1250	1260

MYASTER 6 NEW (120°)			
<b>D</b>	125	100	75
<b>A</b>	290	285	185
<b>B</b>	175	180	280
<b>Distance between hinge and pillar</b>	100	90	70
<b>Bracket</b>	50	80	110
<b>Minimum leaf length</b>	1250	1260	1260

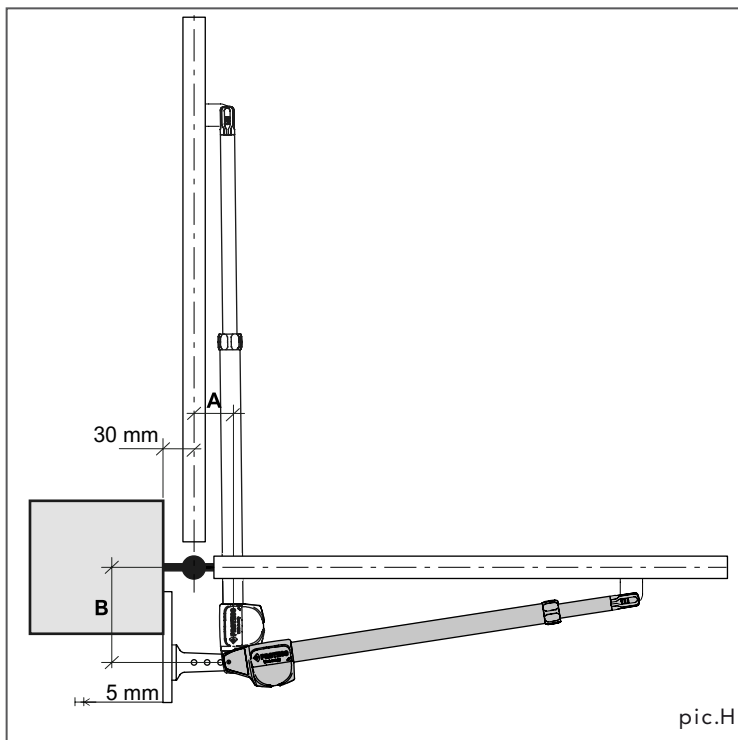
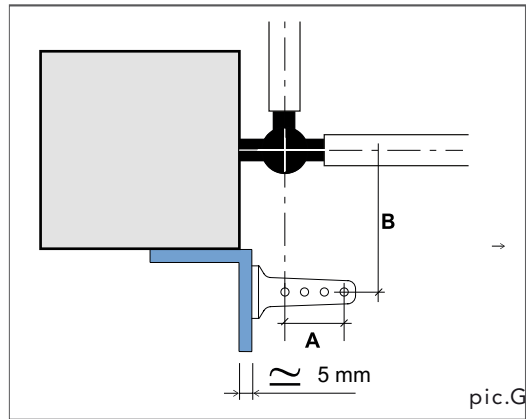
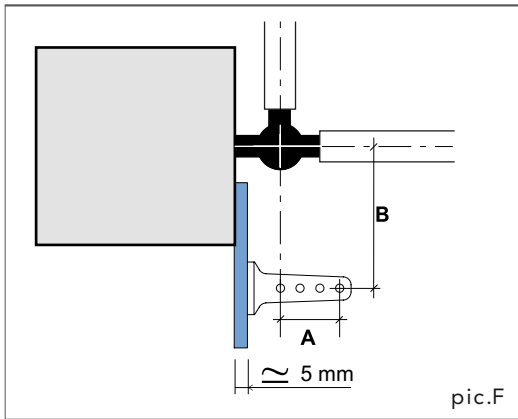
MYASTER 5 NEW (110°)				
<b>D</b>	100	75	50	25
<b>A</b>	220	220	215	235
<b>B</b>	210	185	190	165
<b>Distance between hinge and pillar</b>	70	60	50	40
<b>Bracket</b>	80	110	140	140
<b>Minimum leaf length</b>	1100	1100	1200	1200

MYASTER 4 NEW (110°)		
<b>D</b>	50	0
<b>A</b>	175	175
<b>B</b>	140	140
<b>Distance between hinge and pillar</b>	40	30
<b>Bracket</b>	80	140
<b>Minimum leaf length</b>	925	920

MYASTER 3 NEW (110°)		
<b>D</b>	25	0
<b>A</b>	165	140
<b>B</b>	120	140
<b>Distance between hinge and pillar</b>	40	30
<b>Bracket</b>	140	140
<b>Minimum leaf length</b>	810	800

### 3.4.3. OUTWARD OPENING

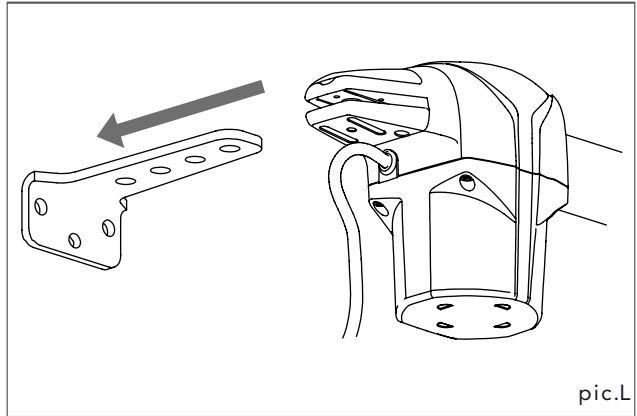
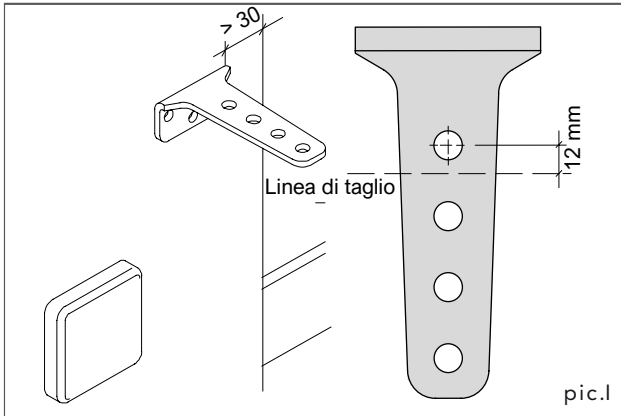
It's possible to have your gate opening outward (picture F/G/H)



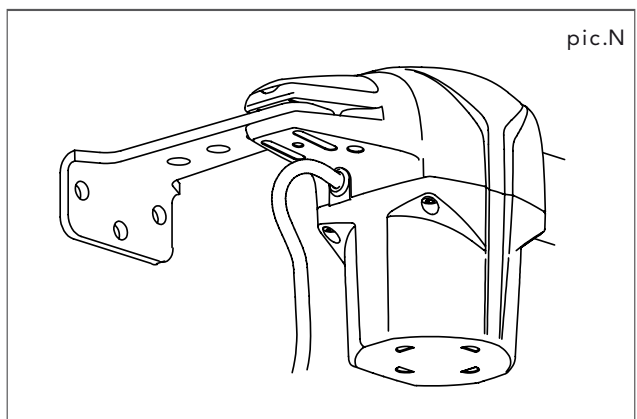
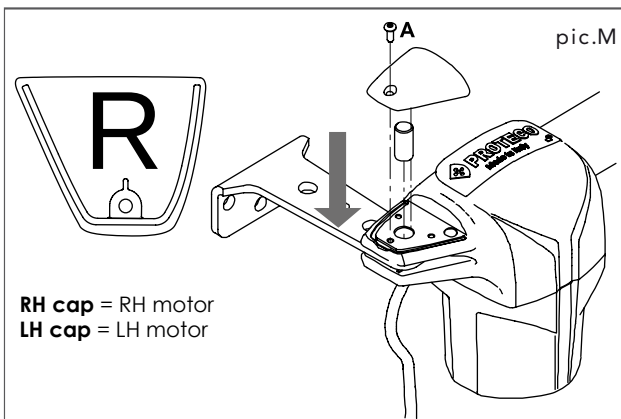
	MYASTER 3 NEW	MYASTER 4 NEW	MYASTER 5 NEW	MYASTER 6 NEW
<b>A</b>	115	115	115	115
<b>B</b>	220	200	200	200
<b>Distance from pillar</b>	5	5	5	5
<b>Bracket</b>	140	140	140	140
<b>Min. Leaf length</b>	800	1000	1200	1200

### 3.4.4. FIXING THE PILLAR BRACKET

In order to properly cut the bracket start 12 mm from the hole center, as shown in the picture I.  
Fix the motor to the bracket following the below procedure:



- Remove screw from plastic cap (picture L - A).
- Fit the bracket to the motor (picture L).
- Fit the pin (picture M).
- Put the cap back and screw (picture N).

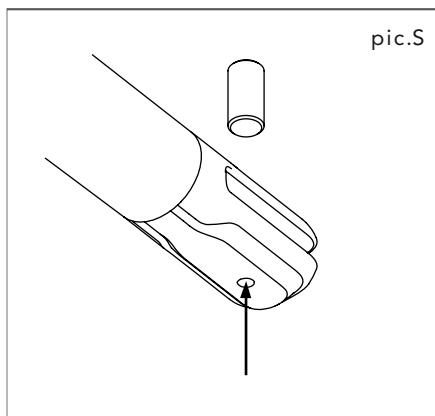
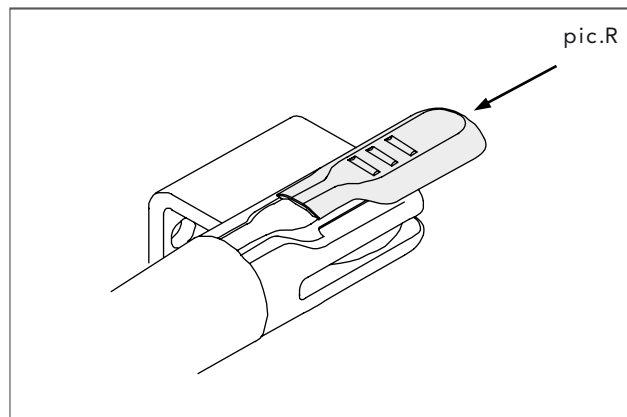
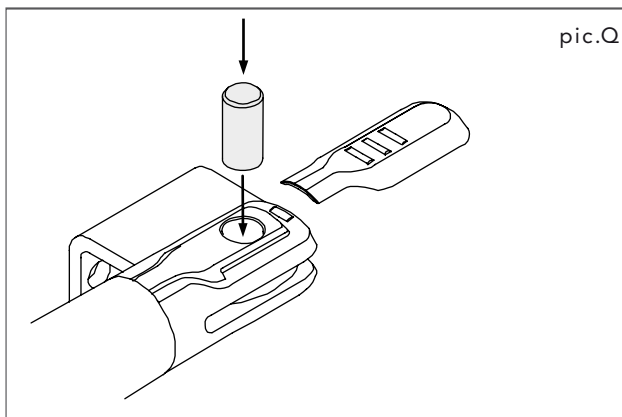
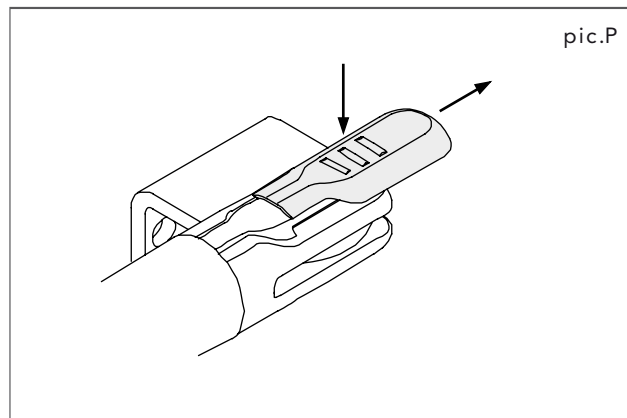
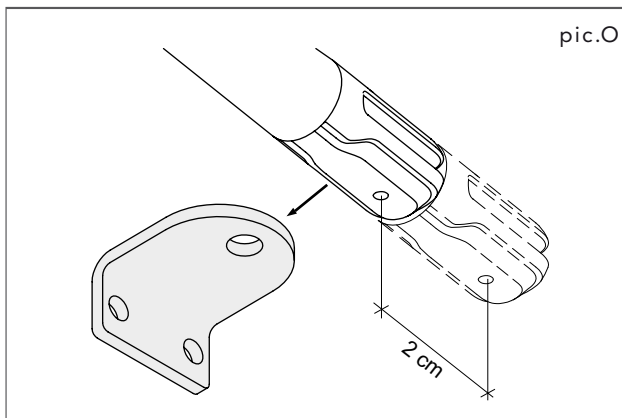


**NB: Be carefull when fitting the cap. It has to match the proper motor.**

### 3.4.5. FIXING THE GATE BRACKET

Follow the below procedure to determine the bracket position on the gate:

- Put the gate to CLOSING position.
- Unlock the operator (refer to section 4 Manual Operation).
- Extend the inox arm fully.
- Turn back the arm 2 cms. This avoids the motor to "leap forward" (picture O).  
Press the plastic cap with little force, and gently slide it forward (picture P).  
Insert the bracket in the motor and fit the pin (picture Q).
- Mount the arm of the motor onto the gate. Ensure the arm is perfectly straight. Check the manual opening of the leaf before definitively fixing the bracket to make sure the gate can open fully to your required angle.
- If the bracket position is the correct one, remove the pin (picture S) and proceed to definitively fix it.
- Repeat steps shown in picture Q and R.



### 3.4.6. WIRINGS

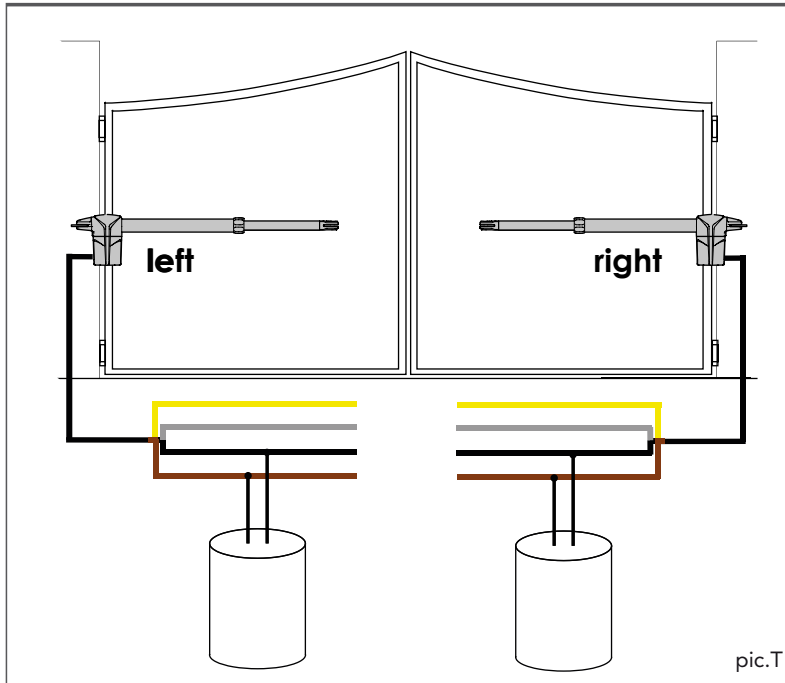


**Attention!**

An incorrect wiring could lead to failures and very dangerous injuries. Therefore carefully follow the wiring instructions contained in this manual.  
Switch the power and batteries OFF before any wiring operation.



The electric plant must be performed by qualified personnel and must comply with the outstanding regulations.



**ATTENTION!**

The electric plant must be protected by a ground system, in accordance to the current safety regulations.  
Do not let the motor wire stretch during opening and closing.

Capacitors are provided just with 230V and 115V motors.

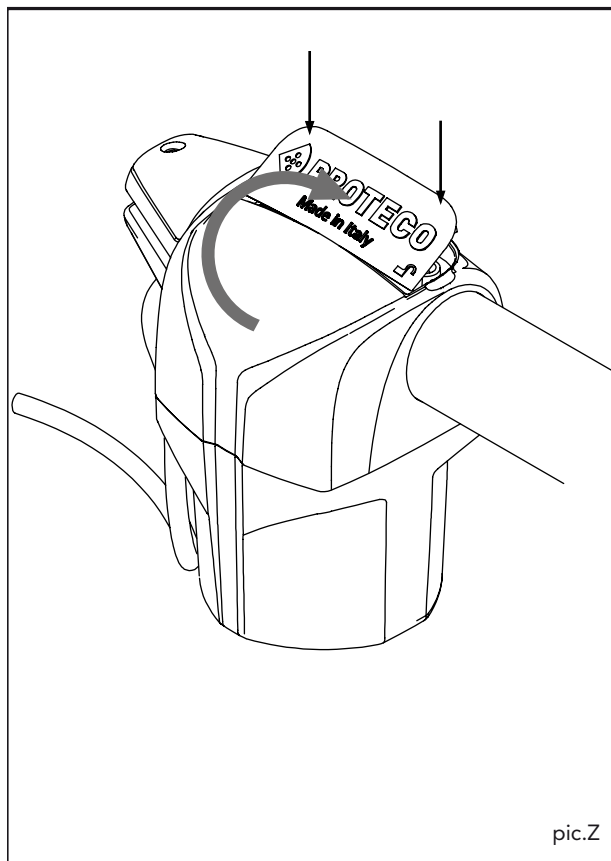
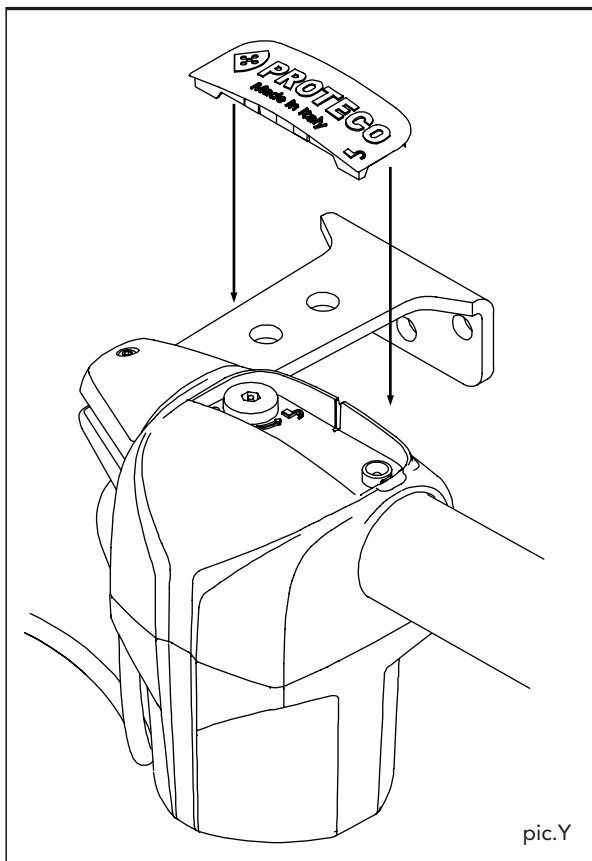
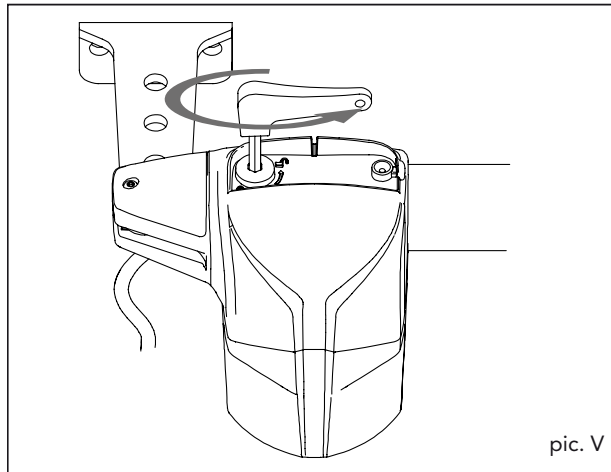
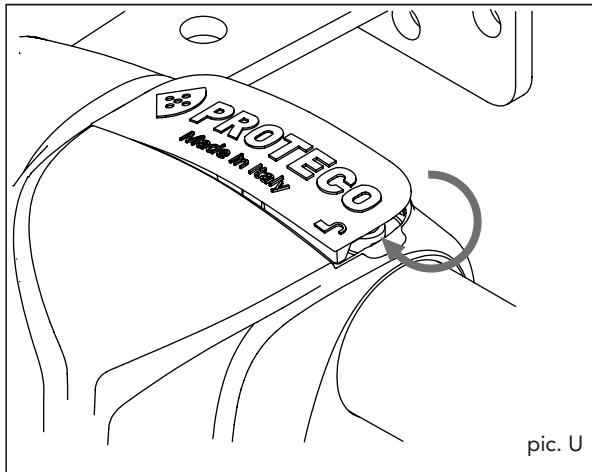


**ATTENTION!**

The electric plant must be protected by a ground system, in accordance to the current safety regulations.  
Do not let the motor wire stretch during opening and closing.  
Capacitors are provided just with 230V and 115V motors.

## 4. MANUAL RELEASE

- Switch the POWER OFF.
- Lift the plastic cap acting on the right side of the operator (picture U).
- Plug the release key and turn it 180° counter clockwise as shown in picture V.
- The operator is now unlocked, manually open and close the gate.
- Put the gate to closing position, lock the operator turning the release key 180° clockwise.
- Reposition the plastic cap as shown in pictures Y/Z.
- Put a little force on the cap to reach the correct position.
- Switch the POWER ON.



## 5. MAINTENANCE

### ATTENTION!

**Maintenance service must be carried out by qualified technical personnel, in full compliance with the safety standards required by the laws in force. Maintenance has to be carried out every six months.**

In order to proceed to maintenance service, follow the below checks:

- Turn the POWER OFF.
- Check the good condition of any component.
- Check screw connections are properly tightened.
- Unlock the operator, and make sure the gate opens and closes freely. Clean the inox arm using a dry cloth (no lubrication needed).
- Put the gate to closing position, lock the operator and if necessary repeat the programming procedure.

### RELEASE SYSTEM TEST:

- In order to check the good operation of the release system put the gate to closing position and unlock to motor. The unlock operation has to be smooth and easy.
- The gate has to move freely in both directions.
- The release key has to turn smoothly and easily.

## 6. WARRANTY

PROTECO products are covered by a 3-year limited warranty from the production date printed on the product. During this period, Proteco Srl offers a guarantee in case of malfunction due to construction, material or assembly faults. Warranty terms are applicable just if the instructions and maintenance included in this manual are fully respected and carried out.

Warranty is void when fake spares are used and doesn't respond for faults due to incorrect installation.

Installation and any maintenance works are responsibility of the person installing the system.

In no case and in no way will Proteco Srl be liable to the end user for damages, including any loss of profits, savings or other accidental or indirect damages, resulting from the use or inability to use PROTECO products.

Any return without authorization number will be rejected.

The shipment of the returned product and the related costs are the end user/buyer charge.

All defective products must be returned together with the proof of payment to:

**PROTECO Srl Via Neive 77, 12050 Castagnito (CN) - Italia**

Warranty is void when:

- The product has been treated / stored under abnormal conditions of use and maintenance.
- The product has been repaired, modified or altered.
- The product has been subject to misuse, neglect, electrical problems, improper package, accident, or natural events.
- The product was installed improperly.
- The product warranty label is illegible or is missing entirely.
- The malfunction is due to improper installation or to natural and/or accidental causes (eg: falls, oxidation, overvoltage).

## 7. DISPOSAL

Any part of the system, including devices such as remote controls, must be disposed in compliance with current legislation, as they may be harmful for the environment.

Most of the materials used are similar to solid urban waste and can be handled accordingly.

They can be recycled through separate collection and disposed in authorized centers.

Other components (electronic boards, batteries, etc.) may instead contain polluting substances.

They must therefore be removed and delivered to companies authorized for their recovery and disposal.

Before proceeding, it is always advisable to check the specific regulations in force.

Disposal of packing

Packaging components (cardboard, plastics, etc.) are same similar to solid urban waste and can be handled accordingly without any difficulty, simply by carrying out separate collection for recycling. Before proceeding, it is always advisable to check the specific regulations in force.

**DO NOT POLLUTE THE ENVIRONMENT!**

# COMPLIANCE DECLARATION

Manufacturer: **PROTECO S.r.l.**  
Address: Via Neive, 77 - 12050 CASTAGNITO (CN) - ITALY

declares that:

The product type: Automation for swing gates **MYASTER**  
Models: **MYASTER 3 NEW, MYASTER 4 NEW, MYASTER 5 NEW, MYASTER 6 NEW,  
MYASTER 3 24 NEW, MYASTER 4 24 NEW, MYASTER 5 24 NEW,  
MYASTER 3 115 NEW, MYASTER 4 115 NEW, MYASTER 5 115 NEW.**

is built to be integrated into a machine or to be assembled with other machinery to create a machine under provisions of 2006/42/EC Machinery Directive.

It complies with the essential requirements of EEC Directives:

**2011/65/CE (RoHS 2) + 2015/863/UE (RoHS 3)**  
**2014/35/UE (LVD)**  
**2014/30/UE (EMC)**

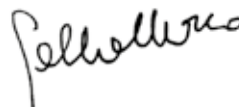
The product also complies with:

**EN12453,**  
**EN55014-1, EN55014-2,**  
**EN61000-6-1, EN61000-6-3 EN 60335-1,**  
**EN 60335-2-103**

The manufacturer declares that the start-up of the machinery is not permitted unless the machine, in which the product is incorporated or of which is becoming a component, has been identified and declared as conformed to 2006/42/EC Machinery Directive.

Castagnito, 2021 November 21st

Marco Gallo  
CEO







Via Neive, 77 - 12050 CASTAGNITO (CN) ITALY Tel. +39 0173 210132  
mygateautomation.com info@mygateautomation.com