



LIBRA

GARAGE DOOR OPENER

Garage door opener for sectional and spring-balanced doors up to 12 mq. A LCD display, a LED courtesy light, an automatic closing feature with encoder system, pre-assembled chain-driven rail included are its main characteristics.

It is available in light and heavy use version, it's the right solution in case of small and medium size doors. It also suits to overhead balanced garage doors by using the optional adapting bracket.



KIT COMPOSITION



LIBRA

1

Gear motor
with control unit



MYKEY

2

Remote
keyfob



3

Rail, 3 m

OPTIONAL



MYRT_
wireless keypad



RC22
mechanical safety strip
24 mm x 2.5 m



MYRS
key switch



MYRL
flashing light



MYRF_
safety photocells set

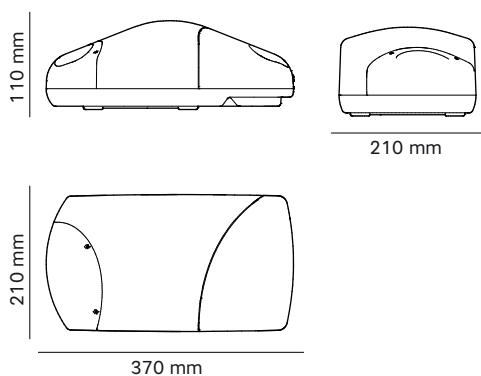


MLIR07_
pull-cord release and
resetting device to fit
on door handle



ARC02_
adapter arm for
overhead doors

DIMENSIONS



years of
warranty **3**

TECHNICAL DATA

Motor power supply	V	24V dc	24V dc
Stand-by consumption	W	4	4
Rated power	W	100	150
Protection class	IP	40	40
Pulling thrust	N	700	1100
Opening time	s	17"	17"
Max door size	m ²	8	12
Max door load	Kg	60	100
Max door height	m	2.4	2.7
Duty cycle	%	80	80
Rail	m	3	3.3

	LIBRA	LIBRA PLUS
Motor power supply	24V dc	24V dc
Stand-by consumption	4	4
Rated power	100	150
Protection class	40	40
Pulling thrust	700	1100
Opening time	17"	17"
Max door size	8	12
Max door load	60	100
Max door height	2.4	2.7
Duty cycle	80	80
Rail	3	3.3